



ELECTRIC ON/OFF GLOBE VALVES EV15 (EN)

DESCRIPTION

The ADCATrol EV15 is a series of single seated, two-way electric on/off globe valves with electric actuator. These valves are suitable for use with the most common process fluids such as steam, water, superheated water, air, neutral gases and oils.

MAIN FEATURES

- Easy to service.
- Compact and cost-effective.
- Ambient temperature from -10 to 60 °C (others on request).
- 24 V AC, 115 V AC, 230 V AC, 400 V AC 50/60 Hz and 24 V DC supply voltages.
- Manual operation with disengagement of the actuator motor.
- Valve protection against excessive force due to load-dependent seating.
- Defined closing force at the end positions leading to tight valve shutoff.
- Mechanical stroke indication via anti-rotation bar.

OPTIONS AND

ACCESSORIES: Limit switches.
Heating resistor.

USE: Saturated steam.
Hot and superheated water.
Air, gases and others.

AVAILABLE

MODELS: EV15G – SG iron.
EV15S – carbon steel.
EV15i – stainless steel.

SIZES: DN 15 to DN 200.

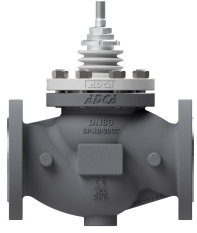

CONNECTIONS: EV15G – Flanged EN 1092-2 PN 16.
EV15S and EV15i – Flanged EN 1092-1 PN 16 or PN 40.
Standard PN 16 DN 65 flanges are supplied with 4 holes. 8 holes, according to EN 1092-1/-2, on request.

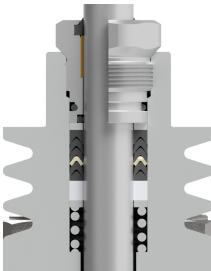
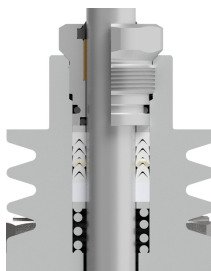
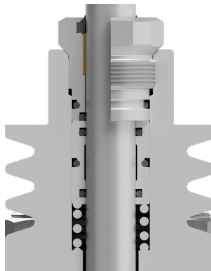
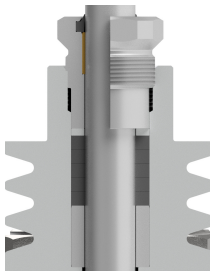
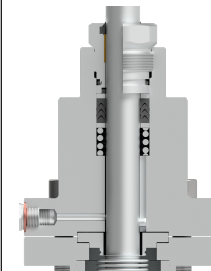
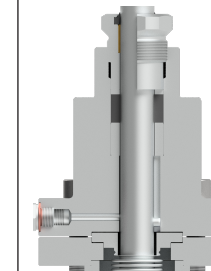


CE MARKING – GROUP 2 (PED – European Directive)		
PN 16	PN 40	Category
DN 15 to 50	DN 15 to 32	SEP
DN 65 to 200	DN 40 to 100	1 (CE marked)
–	DN 125 to 200	2 (CE marked)

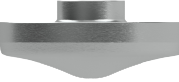
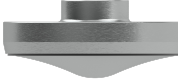
BODY LIMITING CONDITIONS									
EV15G **		EV15S *				EV15i *			
FLANGED PN 16		FLANGED PN 16		FLANGED PN 40		FLANGED PN 16		FLANGED PN 40	
ALL. PRES.	REL. TEMP.	ALL. PRES.	REL. TEMP.	ALL. PRES.	REL. TEMP.	ALL. PRES.	REL. TEMP.	ALL. PRES.	REL. TEMP.
16 bar	-10 / 50 °C	16 bar	-10 / 50 °C	40 bar	-10 / 50 °C	16 bar	-10 / 50 °C	40 bar	-10 / 50 °C
14,7 bar	200 °C	13,3 bar	200 °C	33,3 bar	200 °C	13,4 bar	200 °C	33,7 bar	200 °C
13,9 bar	250 °C	12,1 bar	250 °C	27,6 bar	300 °C	12,7 bar	250 °C	29,7 bar	300 °C
12,8 bar	300 °C	11 bar	300 °C	25,7 bar	350 °C	11,8 bar	300 °C	28,5 bar	350 °C
11,2 bar	350 °C	10,2 bar	350 °C	23,8 bar	400 °C	11,4 bar	350 °C	27,4 bar	400 °C

* Rating according to EN 1092-1:2018; ** Rating according to EN 1092-2:2007.

BONNET DESIGN	
STANDARD	EXTENDED
 -10 °C to 250 °C	 Above 250 °C

STEM SEALING					
PTFE/GR V-RINGS (V1.2)	PTFE V-RINGS (V2.2)	EPDM (EP1)	GRAPHITE (G1)	BELLOWS	
				(BV1)	(BG1)
 -10 to 220 °C	 -10 to 180 °C	 -10 to 150 °C *	 -10 to 400 °C	 -60 to 220 °C **	 -60 to 400 °C **

* Up to 180 °C in steam and hot water applications; ** Maximum operating pressure: 25 bar.

PLUG DESIGN	
PARABOLIC	PARABOLIC (SOFT SEALING)
	
Sealing: Metal to metal Characteristic: Quick-opening (On/Off) Flow direction: From below Leakage: Class V, acc. to IEC 60534-4	Sealing: PTFE/GR Characteristic: Quick-opening (On/Off) Flow direction: From below Leakage: Class VI, acc. to IEC 60534-4 Max. temp.: 200 °C

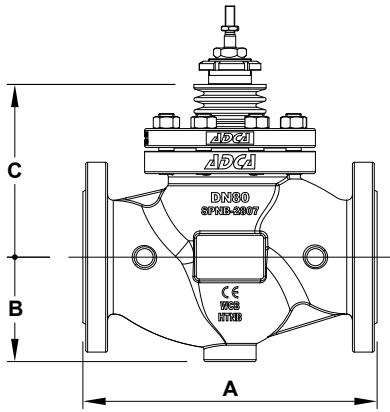
FLOW RATE COEFFICIENTS (m³/h)												
SIZES	DN 15	DN 20	DN 25	DN 32	DN 40	DN 50	DN 65	DN 80	DN 100	DN 125	DN 150	DN 200
Kvs	5,1	6,3	10	16	25	40	63	100	160	240	370	630
SEAT Ø (mm)	19,2	19,2	25	32	38	48	65	76	96	125	150	200
STROKE (mm)	5	8	8	10	10	12,5	20	20	25	32	38	50

For conversion Kvs = Cv (US) x 0,865.

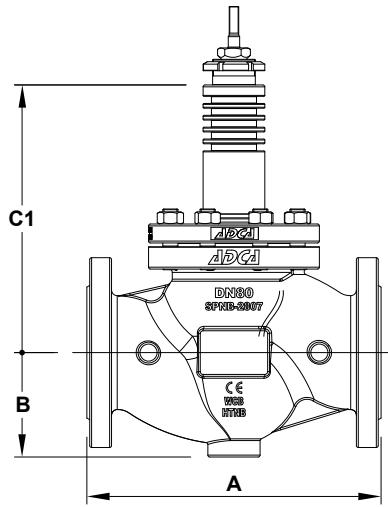
EV15 – FTO, UNBALANCED TRIM					
VALVE SIZE	ACTUATOR MODEL	MAXIMUM PERMISSIBLE PRESSURE DROP (bar) *			
		SOFT SEALING (CLASS VI)		METAL SEALING (CLASS V)	
		PTFE	GRAPHITE	PTFE	GRAPHITE
DN 15	EL12	40	40	40	35,1
	EL20	40	40	40	40
DN 20	EL12	40	40	23,2	19,6
	EL20	40	40	40	40
DN 25	EL12	17,8	15,7	12,2	10,1
	EL20	30,8	28,8	25,2	23,1
	EL45	40	40	40	40
DN 32	EL12	10,7	9,5	6,3	5,1
	EL20	18,7	17,4	14,3	13
	EL45	40	40	39,2	37,9
DN 40	EL12	7,5	6,6	3,8	2,9
	EL20	13,2	12,3	9,5	8,6
	EL45	30,8	29,9	27,1	26,2
	EL80	40	40	40	40
DN 50	EL20	8,2	7,6	5,2	4,7
	EL45	19,2	18,7	16,3	15,7
	EL80	40	40	40	40
DN 65	EL20	4,4	4,1	2,2	1,9
	EL45	10,4	10,1	8,2	7,9
	EL80	18,8	18,5	16,7	16,4
	EL120	28,5	28,2	26,3	26
DN 65 M16x1,5	SA07.2	31,6	31,1	29,4	28,9
	SA07.6	40	40	40	40
	EL250	40	40	40	40
DN80	EL45	7,6	7,4	5,7	5,5
	EL80	13,7	13,5	11,9	11,7
	EL120	20,8	20,6	19	18,7
DN 80 M16x1,5	SA07.2	23	22,7	21,2	20,9
	SA07.6	36,6	36,3	34,8	34,4
	EL250	40	40	40	40
	SA10.2	40	40	40	40
DN 100	EL45	4,7	4,6	3,2	3,1
	EL80	8,6	8,4	7,1	7
	EL120	13	12,9	11,5	11,4
DN 100 M16x1,5	SA07.2	14,4	14,2	12,9	12,7
	SA07.6	22,9	22,7	21,4	21,2
	EL250	27,3	27,1	25,9	25,7
	SA10.2	34,6	34,4	33,2	32,9
DN 125	EL80	5	4,9	3,9	3,8
	EL120	7,6	7,5	6,5	6,4
	SA07.2	8,5	8,3	7,3	7,2
	SA07.6	13,5	13,4	12,4	12,2
	EL250	16,1	16	15	14,8
	SA10.2	25	24,8	23,8	23,7
DN 150	EL80	3,5	3,4	2,5	2,4
	EL120	5,3	5,2	4,3	4,2
	SA07.2	5,9	5,8	4,9	4,8
	SA07.6	9,3	9,3	8,4	8,3
	EL250	11,1	11,1	10,2	10,1
	SA10.2	17,3	17,2	16,4	16,3
DN 200	SA07.2	3,3	3,2	2,5	2,5
	SA07.6	5,2	5,1	4,5	4,4
	EL250	6,2	6,2	5,5	5,4
	SA10.2	10,6	10,5	9,9	9,8
	SA14.2	20,2	20,2	19,5	19,5

* "PTFE" specified pressure drops are applicable in case of V-ring and O-ring stem seals independently of the material.

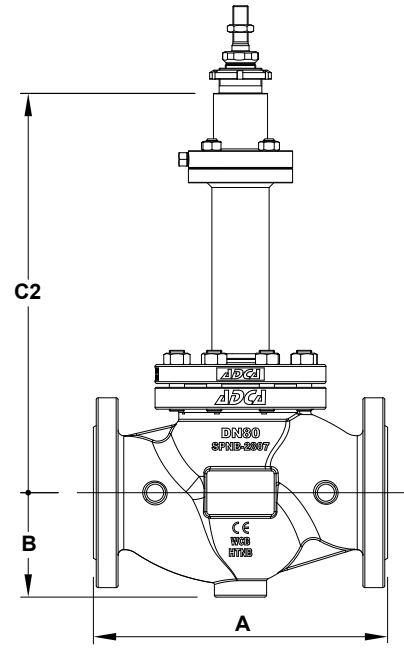
"GRAPH." specified pressure drops are applicable in case of graphite and bellow stem seals.



Valve with standard bonnet



Valve with extended bonnet

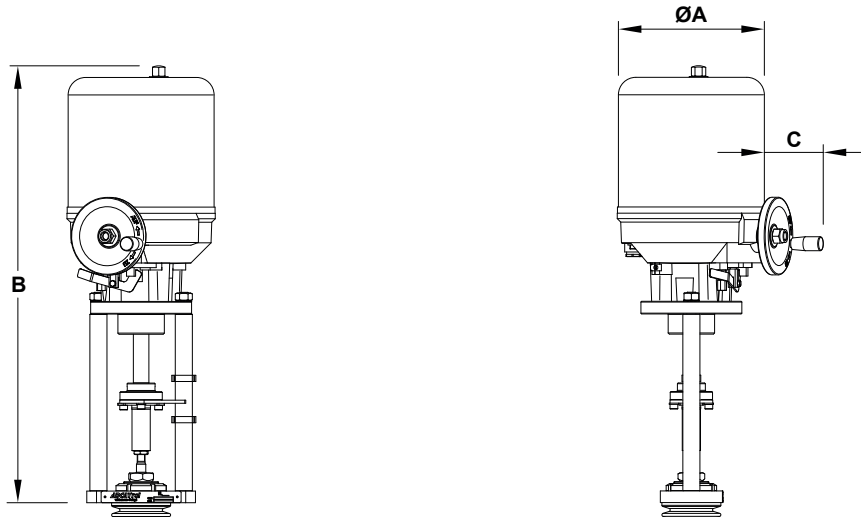


Bellows sealed valve

DIMENSIONS (mm)												
DIMENSION	SIZE											
	DN 15	DN 20	DN 25	DN 32	DN 40	DN 50	DN 65	DN 80	DN 100	DN 125	DN 150	DN 200
A	130	150	160	180	200	230	290	310	350	400	480	600
B	52	53	58	70	75	85	100	110	130	160	180	225
C	104	104	109	109	113	125	176	182	194	210	216	277
C1	169	169	189	189	193	204	276	282	314	315	320	400
C2	295	295	298	298	303	303	415	421	424	590	590	–

Remark: Standard PN 16 DN 65 flanges are supplied with 4 holes. 8 holes, according to EN 1092-1/-2, on request.

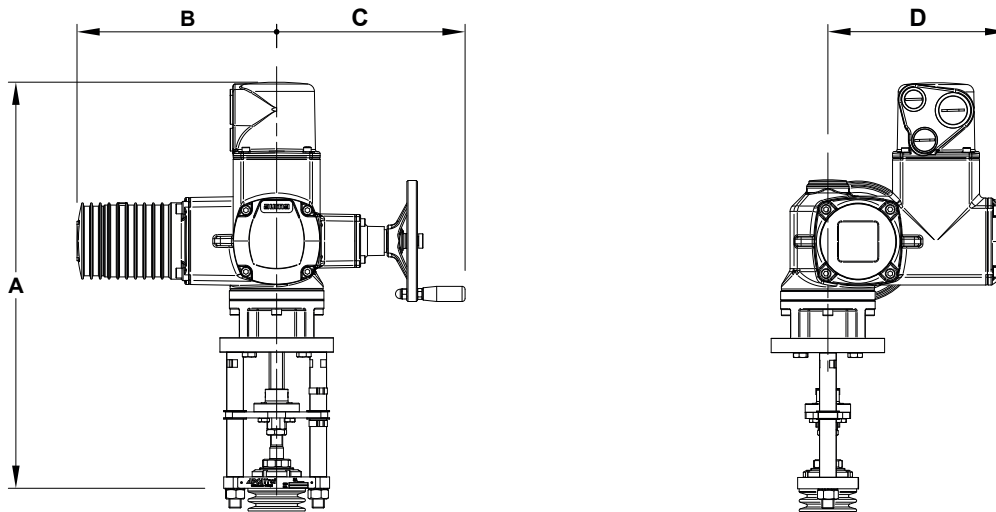
WEIGHTS (kg)												
	SIZE											
	DN 15	DN 20	DN 25	DN 32	DN 40	DN 50	DN 65	DN 80	DN 100	DN 125	DN 150	DN 200
STANDARD	5,1	6	6,9	10	12,6	16,4	31,8	38,2	48,9	79,1	105,5	232,3
EXTENDED	5,8	6,7	7,6	10,9	13,9	17,6	32,5	38,9	49,4	81,5	107,3	237,6
BELLOWS	9,3	10,2	10,9	14,1	16,6	20,2	35,6	41,9	53,5	85,9	112,3	–



DIMENSIONS – EL SERIES ELECTRIC ACTUATORS (mm)

DIMENSION	EL12	EL20	EL45	EL80	EL120	EL250
ØA	129	148	148	188	188	216
B	315	474	474	572	572	668
C	–	42	42	70	70	70
WEIGHT (kg)	2,1	8	8	13	13	19

For more information, please consult IS EL.012 – Linear electric actuators.



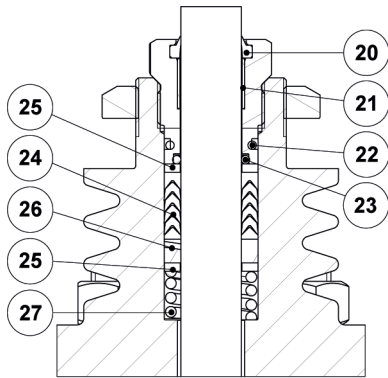
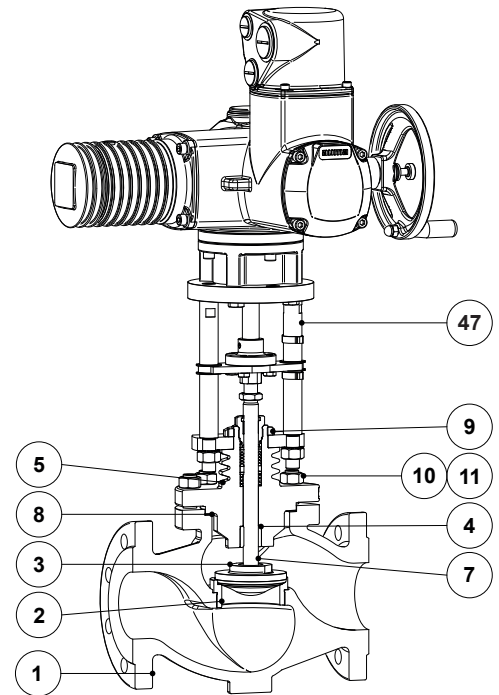
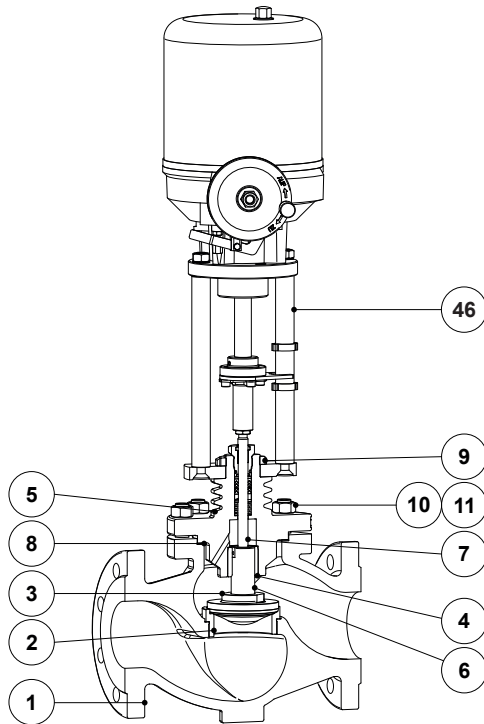
DIMENSIONS – SA SERIES ELECTRIC ACTUATORS (mm)

DIMENSION	SA07.2	SA07.6	SA10.2	SA14.2
A	539 a) 548 b) 583 c)	539 a) 548 b) 583 c)	583 a) 539 b) 548 c)	679
B	283	283	283	389
C	254	254	254	336
D	248	248	248	286
WEIGHT (kg)	25,4 a) 26,8 b) 32 c)	27,9 a) 31,2 b) 33,1 c)	30 a) 33,2 b) 35,2 c)	65,2

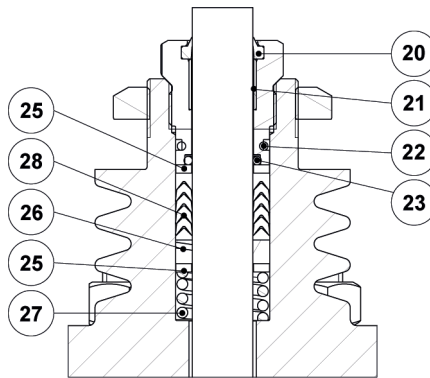
a) DN 65 to 100; b) DN 125 to 150; c) DN 200.

For more information, please consult the manufacturer.

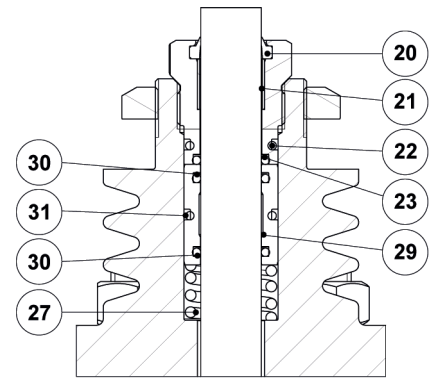
MATERIALS



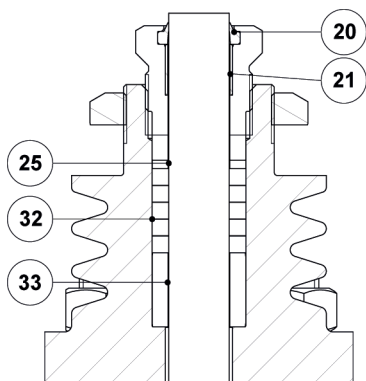
*PTFE/GR V-Rings
(V1.2)*



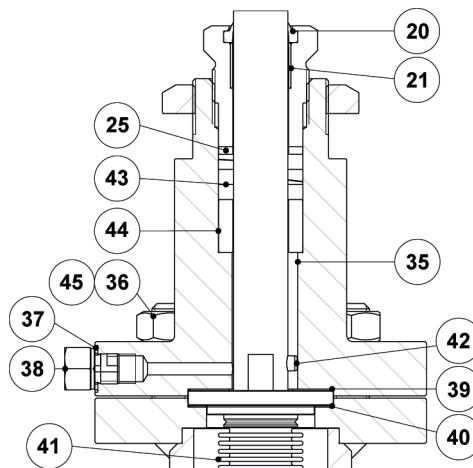
*PTFE V-Rings
(V2.2)*



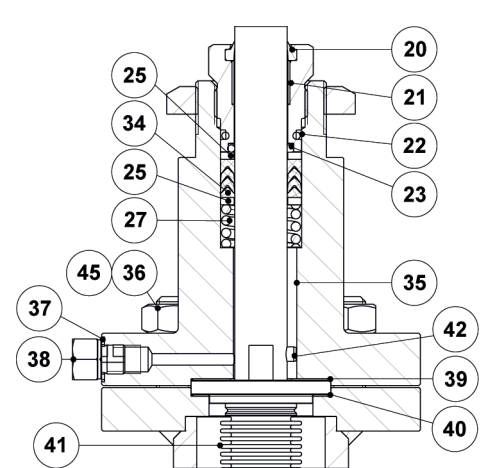
*EPDM
(EP1)*



*Graphite
(G1)*



*Bellows sealing
(BV1)*



*Bellows sealing
(BG1)*

MATERIALS		
POS. N°	DESIGNATION	MATERIAL
1	Valve body (EV15G)	GJS-400-15 / 0.7040
	Valve body (EV15S)	A216 WCB / 1.0619
	Valve body (EV15i)	A351 CF8M / 1.4408
2	* Seat	AISI 316L / 1.4404
3	* Valve plug	AISI 316L / 1.4404
4	Stem guide	Bronze CB1
5	Bonnet (EV15G and EV15S)	A351 CF8M / 1.4408; A216 WCB / 1.0619
	Bonnet (EV15i)	A351 CF8M / 1.4408
6	* Post stem (DN 65 to DN 100)	AISI 316L / 1.4404
7	* Stem	AISI 316L / 1.4404
8	* Gasket	Stainless steel / Graphite
9	Lock nut	A351 CF8 / 1.4308
10	Nut (EV15G and EV15S)	EN 10269 steel
	Nut (EV15i)	Stainless steel A2-70
11	Stud (EV15G and EV15S)	EN 10269 steel
	Stud (EV15i)	Stainless steel A2-70
12	* Packing nut	AISI 303 / 1.4305
13	Lock nut	AISI 304 / 4.4301
20	* Scraper ring	Viton; NBR
21	* Plain bearing	Bronze / PTFE
22	* O-ring	EPDM
23	* O-ring	Viton
24	* Chevron packing set	PTFE; Graphite filled PTFE
25	Washer	AISI 304 / 1.4301
26	* Stem guide	Stainless steel filled PTFE
27	* Spring	AISI 302 / 1.4310
28	* Chevron packing set	PTFE
29	O-ring guide	AISI 304 / 1.4301
30	* O-ring	EPDM
31	* O-ring	EPDM
32	* Packing set	Expanded graphite
33	Packing spacer	AISI 304 / 1.4301
34	* Safety packing set	Graphite filled PTFE
35	Bellows bonnet (EV15G and EV15S)	A105 / 1.0432; AISI 316 / 1.4401
	Bellows bonnet (EV15i)	AISI 316 / 1.4401
36	Stud (EV15G and EV15S)	EN 10269 steel
	Stud (EV15i)	Stainless steel A2-70
37	Gasket	Copper
38	Compression fitting	AISI 316 / 1.4401
39	* Gasket	Stainless steel / Graphite
40	* Gasket	Stainless steel / Graphite
41	* Metal bellows	AISI 316Ti / 1.4571
42	* Locking pin	AISI 303 / 1.4305
43	* Safety packing set	Expanded graphite
44	Packing spacer	AISI 304 / 1.4301
45	Nut (EV15G and EV15S)	EN 10269 steel
	Nut (EV15i)	Stainless steel A2-70
46	EL Linear electric actuator	See IS EL.012 – Linear electric actuators
47	SA Linear electric actuator	Consult manufacturer

* Available spare parts.

ORDERING CODES EV15												
Valve model	E15	1	G	U	1	2	012	1	X	L	015	
EV15 – Electric on/off globe valve, two-way, straight body	E15											
Valve series												
Series 1 (DN 15 to DN 200)		1										
Series 2 (DN 65 to DN 100 / M16x1,5)		2										
Body material												
GJS-400-15 / 0.7040 SG iron			G									
A216 WCB / 1.0619 carbon steel			S									
A351 CF8M / 1.4408 stainless steel			I									
Flow direction												
Flow under the plug				U								
Stem sealing												
PTFE/GR V-Rings (V1.2)					1							
Virgin PTFE V-Rings (V2.2)					2							
Graphite (G1)					3							
EPDM (EP1)					4							
Graphite (G1) with extended bonnet					6							
Stainless steel bellows with PTFE/GR safety packing (BV1)					8							
Stainless steel bellows with graphite safety packing (BG1)					9							
Valve sealing												
Metal to metal (Class V)						2						
Soft sealed with PTFE/GR (Class VI)						3						
Actuator model												
EL12							012					
EL20							020					
EL45							040					
EL45.1							041					
EL45.2							042					
EL80							080					
EL80.1							081					
EL80.2							082					
EL120							120					
EL120.1							121					
EL120.2							122					
EL250							250					
EL250.1							251					
EL250.2							252					
SA07.2							072					
SA07.6							076					
SA10.2							102					
SA14.2							142					
Supply voltage												
230 V AC 50/60 Hz								1				
115 V AC 50/60 Hz								2				
24 V AC 50/60 Hz a)								3				
24 V DC								4				
400 V AC 3 ~ 50/60 Hz								5				
Limit switches												
Without additional limit switches									X			
FG teletransmitter assembly with one additional WE limit switch a)										1		
FG teletransmitter assembly with two additional WE limit switches a)										2		
Pipe connection												
Flanged EN 1092-1/-2 PN 16											L	
Flanged EN 1092-1 PN 40											N	
Size												
DN 15												015
DN 20												020
...												
Special construction / Additional options												
A full description must to be provided and validated in case of a non-standard construction												E

a) Only available with EL actuators. SA actuators already include additional limit switches for monitorization purposes.
 Remark: Options and accessories not mentioned in the ordering codes table must be requested separately, e.g.: E151GU130401XL040 fitted with HZ/WP heating resistor with thermostat.